

F

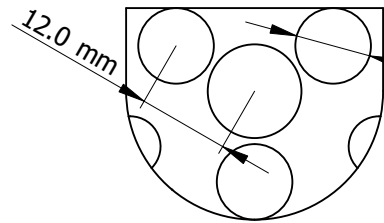
E

D

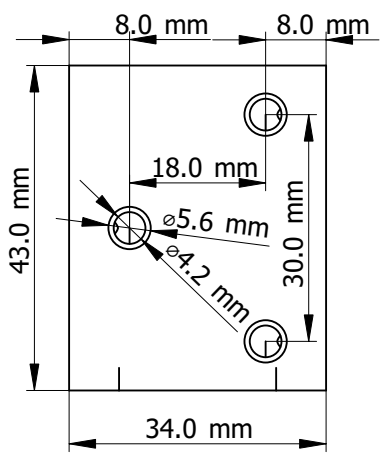
C

B

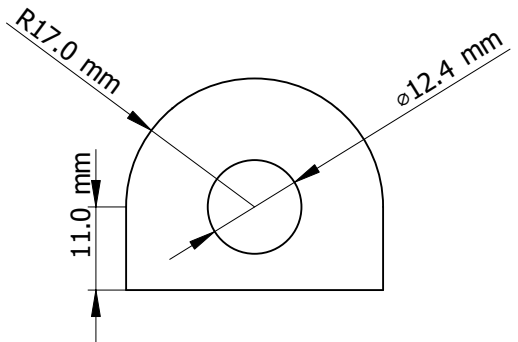
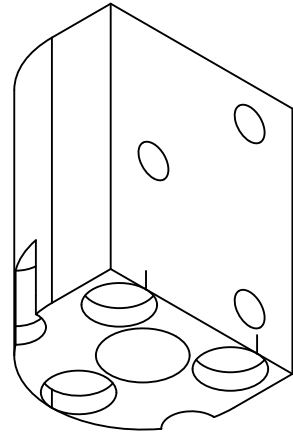
A




$\varnothing 10.0$  mm  
 trou 10mm profondeur 3mm  
 pour aimants 10x3mm



D 5.6mm = insert M4



DESIGNED BY: <b>P. Dubreuil</b>		<b>Axe support cache télescope</b>		G	-
DATE: <b>Date</b>				F	-
SIZE: <b>A4</b>				E	-
				D	-
				C	-
				B	-
				A	-
SCALE	WEIGHT (kg)	DRAWING NUMBER	SHEET <b>1</b>		
This drawing is our property; it can't be reproduced or communicated without our written consent.					

F

E

D

4

3

2

1

4

3

2

1